

Securev™ Belts

The belting force for food safety

In a challenging environment for safe and hygienic handling of food, contamination risks must be controlled.

The TPU Securev™ range is the most efficient solution ensuring a superior hygiene while conveying and processing food.

Ensuring Food Safety

Securev™ belts are hermetically closed to micro-organisms.

Reveyron TPU is a naturally inert and stable material, as it does not interact with other substances and does not contain additives or plasticisers.

With a double TPU cover and sealed edges [FPS], the Securev™ belt offers a true protection from any contamination and infiltration of liquids or oils.

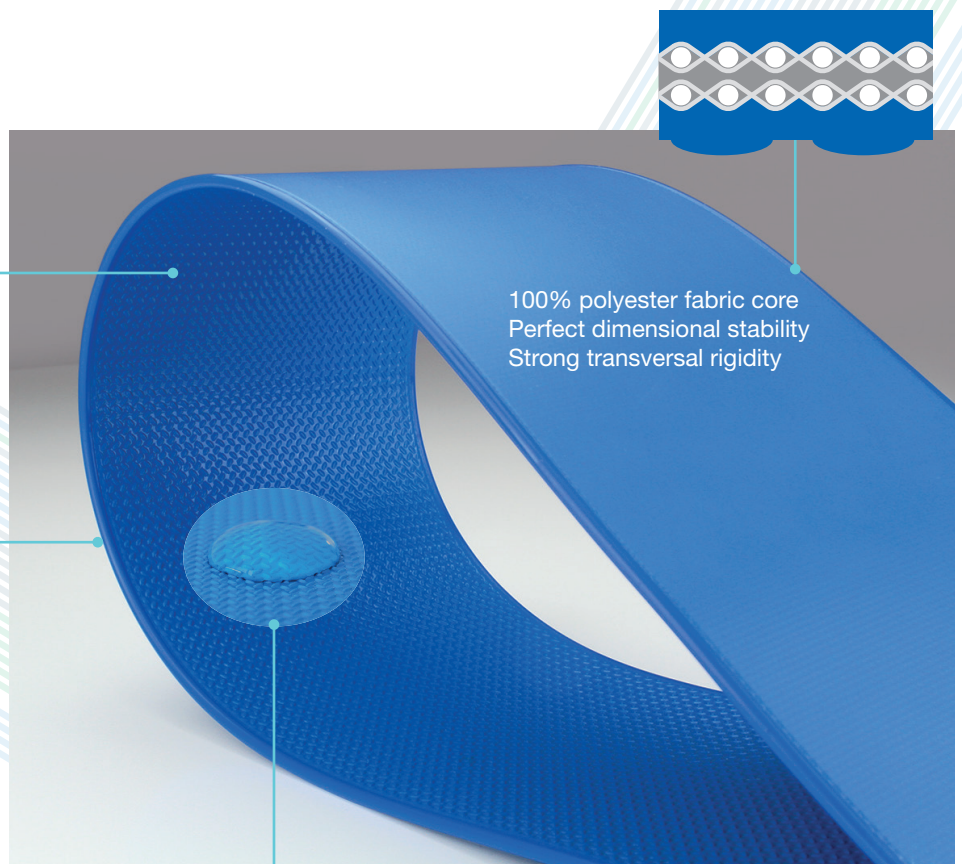
- Preventing the proliferation of microorganisms on belt surfaces and core
- Excellent barrier against any infiltration of oils or liquids containing contaminants
- Absence of belt components migrating into foodstuff

HR

- Easy to clean
- Self-cleaning and high release HR-pattern

FPS

- Sealed/Capped edges
- Protection from all contamination
- Protection from fraying



100% polyester fabric core
Perfect dimensional stability
Strong transversal rigidity

- HR: Very smooth and structured surface (Lotus effect)
- Low coefficient of friction
- High density and inert TPU

Securev™ belts are designed to work in the most difficult conveying environments:

- Small pulley diameter
- Heavy duty conveying
- High speed processing
- Maximised throughput capacity on wide belts



Reinforcing Efficiency

The Securev™ belt surface is perfectly smooth, homogenous and non-porous. The High Release [HR] positive structure is a self-cleaning surface, easily releasing all type of residues due to its rounded structure.

- Simple, quick and efficient cleaning
- Highly effective, reliable and lasting sanitation
- Longer intervals for preventive maintenance interventions, fewer shutdowns and reduced risk of disruptions



Increasing Productivity

As Securev™ belts have an excellent dimensional stability, the conveying speed can be very high, even on wide belts.

This ensures perfect tracking, and prevents shrinkage, elongation, fraying and undulations.

- High release of products: reduced product loss
- High conveyor performance
- Increased lifetime of belts: strong resistance to usage and impacts

Securev™ Belts

securev [®] hygiène et sécurité		Possible with FPS	Manufacturing width	No of plies	Total thickness	Top coating	Hardness	Finish / Pattern	Force at 1% elongation	Min. pulley Ø	Min. pulley Ø backflex	Food approved EU 10/2011	Cross rigidity	Availability	
Top	Bottom	Type	mm	mm	mm	mm	ShA		N/mm	mm	mm				
		2PURB25/EHR	√	2000	2	1,80	0,25	85	Matte / HR	11	25	45	••	√	●
		2PURB40/LHR	√	2000	2	2,30	0,40	85	Matte / HR	13	50	70	•••	√	●
		2PURB100/LHR	√	2000	2	3,40	1,00	85	Matte / HR	13	100	160	••••	√	●
		3PURB170/LHR	√	2000	3	5,00	1,70	92	Matte / HR	18	180	240	••••••	√	●
		2PURXD/EHR	√	2000	2	2,20	0,60	92	NP/ HR	11	30	25	••	√	●
		2PURX60HR/ED	√	2000	2	2,20	0,60	92	HR / NP	11	25	30	••	√	●
		2PURX25/EHR	√	2000	2	1,80	0,25	92	Matte / HR	11	25	45	••	√	●
		2PURX25/1HR	√	2000	2	1,80	0,25	92	Matte / HR	10	25	45	Flexible	√	■
		2PURX30/LHR	√	2000	2	2,30	0,30	92	Matte / HR	13	60	80	•••	√	▲
		2PURX40/FHR	√	2000	2	2,30	0,40	92	Matte / HR	14	60	80	Semi-flex.	√	●
		2PURX50/1HR	√	2000	2	2,20	0,50	92	Matte / HR	9	40	60	Flexible	√	▲
		2PURX90/LHR	√	2000	2	3,40	0,90	92	Matte / HR	13	100	160	••••	√	●
		3PURX30/FHR	√	2000	3	3,05	0,30	92	Matte / HR	18	100	130	Flexible	√	▲
		2PURX30/LX30-1.9	√	1500	2	1,90	0,30	92	Matte / Gloss	13	60	60	•••	√	▲
		2PURX30X/LX30	√	2000	2	2,90	0,30	92	Matte / Gloss	13	80	80	••••	√	●

FPS Sealed/Capped edges
 NP Negative pyramide
 HR High Release (rice grain profile)

● All dimensions
 ■ Only in full manufacturing width
 ▲ On-demand manufacturing



Securev+™ Belts

The first hybrid positive drive system

Securev™ belts with friction drive incorporated with the timing belt 25T10 create a positive drive. These two elements combined allow a unique hybrid system regulating power transmission according to specific process parameters.



Great dimensional and structural stability of the Securev™ belt, combined with a unique hybrid positively driven system



securev+
hygiène et sécurité

True Process Belts

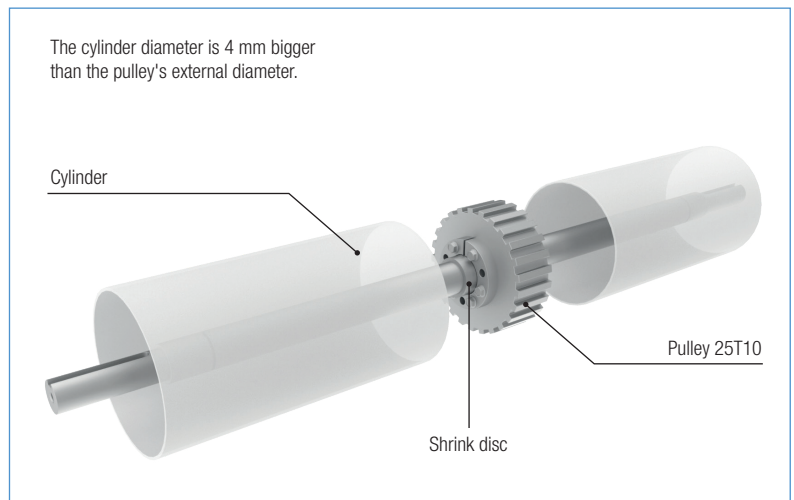
- Indexed operation/process synchronisation
- Very precise positioning and timing of conveyed products
- Positive drive possible in difficult conveying situations such as oily and humid environments: excellent traction control
- Timing belt tracking and bi-directional
- Optimised tracking

Timing Belt

- 25T10 TPU reinforced with Kevlar® (drowned yarn)
- Width 25 mm - pitch 10 mm

Specific Drive Pulley

- Width 28 mm
- Outer Ø from 60 to 200 mm
- Stainless steel, nylon or aluminium
- Various assembling systems available on common shafts on round or square bores and different locking collar systems



Motor drum principle for timing belt 25T10